

BRIZO®

BATHROOM FAUCET

- Rook® Collection
- Single Handle Deck Mount

STANDARD SPECIFICATIONS:


- Max flow rate 1.5 gpm @ 60 psi, 5.7 L/min @ 414 kPa
- Max flow rate (ECO models only) 1.2 gpm @ 60 psi, 4.5 L/min @ 414 kPa
- One or three hole mount (escutcheon optional, not included)
- Control mechanism - 28 mm ceramic disc cartridge with metal stem
- 1/2-14 NPSM threaded inlets
- Metal pop-up drain included
- Spout features water efficient laminar flow
- Solid brass fabricated body

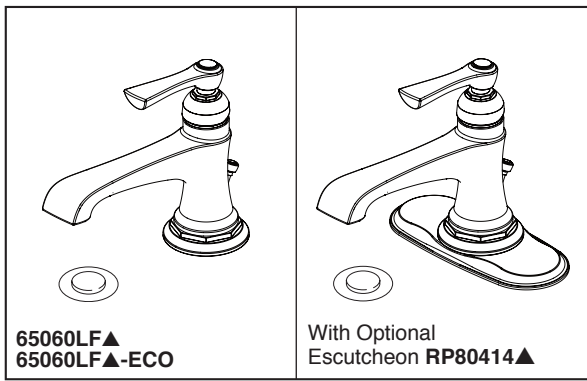
WARRANTY

- Parts and Finish - Lifetime limited warranty; or for commercial purchasers, 10 years for multi-family residential (apartments and condominiums) and 5 years for all other commercial uses, in each case from the date of purchase.
- Electronic Parts and Batteries (if applicable) - 5 years from the date of purchase; or for commercial purchasers, 1 year from the date of purchase. No warranty is provided on batteries.



COMPLIES WITH:

- ASME A112.18.1 / CSA B125.1
- ASME A112.18.2 / CSA B125.2
-  Indicates compliance to ICC/ANSI A117.1 - Valve control only
- EPA WaterSense®
- Verified compliant with .25% weighted average Pb content regulations.

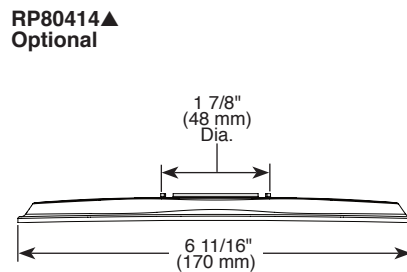
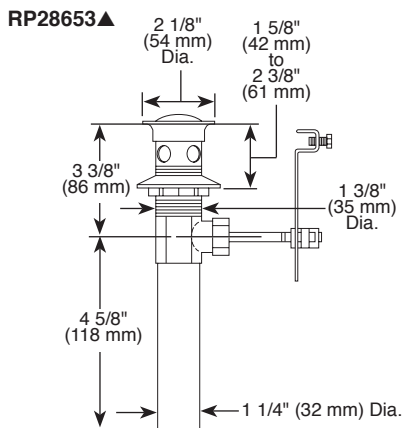
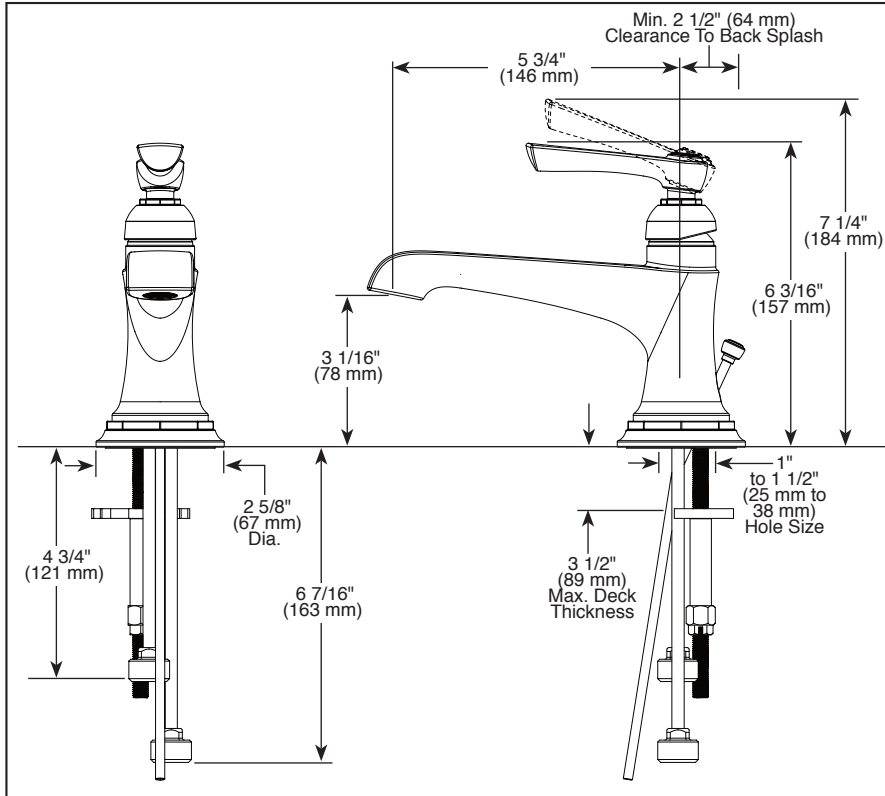


65060LF▲
65060LF▲-ECO

With Optional
Escutcheon RP80414▲

Submitted Model No.: _____

Specific Features: _____



▲ Designate Proper Finish Suffix

Brizo reserves the right (1) to make changes in specifications and materials, and (2) to change or discontinue models, both without notice or obligation. Dimensions are for reference only. See current full-line price book or www.brizo.com for finish options and product availability.

BSP-L-65060LF Rev. C

Brizo Kitchen & Bath Company
55 E. 111th Street, Indianapolis, IN 46280
350 South Edgeware Road, St. Thomas, ON N5P 4L1
© 2020 Brizo Kitchen & Bath Company